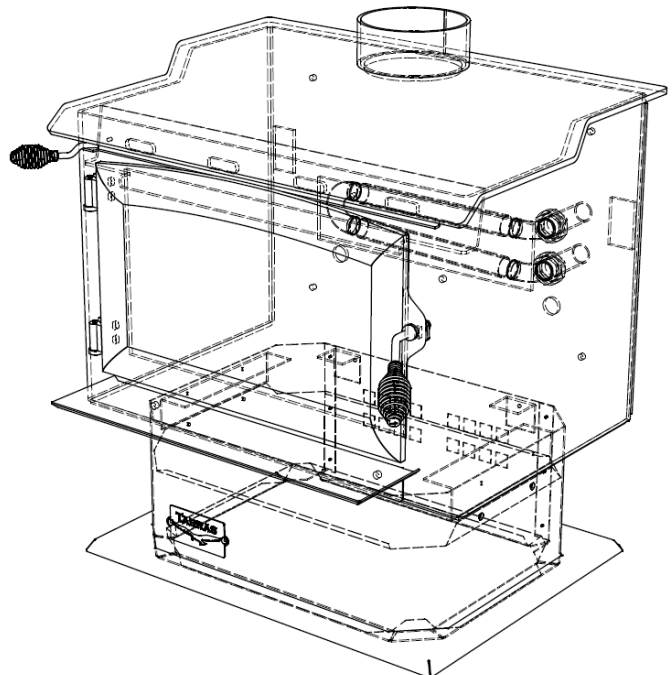
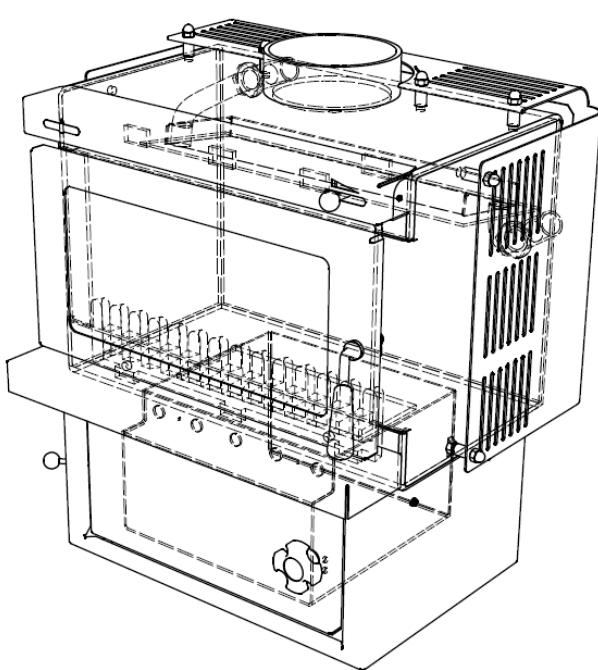


# Specifications, Installation and Operating Instructions for Woodsman Solid Fuel Burners



# WOODSMAN

Warming kiwi homes since 1887.



**KEEP THESE INSTRUCTIONS FOR FUTURE REFERENCE**

Proudly Manufactured By:



Harris Home Fires  
41 Braddon St  
Addington  
Christchurch 8024  
New Zealand  
Email [sales@hhf.co.nz](mailto:sales@hhf.co.nz)

P O Box 4043  
Christchurch 8140  
New Zealand

**Phone** 03 366 1796  
**Freephone** 0800 3661796  
**Fax** 03 366 1795



# WOODSMAN

Warming kiwi homes since 1887.

## Contents

	PAGE
Testing and Certification	3
Clearances	4 & 5
Floor Protector/Hearth Graph (Graph 1)	6
Dimensions	7
Reducing Clearances	8
Installation Instructions	9
Floor Protector Materials	9
Minimum Flue Height	10
Flue Installation Details	10
HeatSaver Flue Kit Installation Instructions	11 & 12
Operation Instructions Wood	13
Operation Instructions Multi-Fuel	14
Creosote Formation	14
Storage of Fuel	14
Caring for your Fire	15
Consumables	15
Useful Tips	16
Warranty Details	17



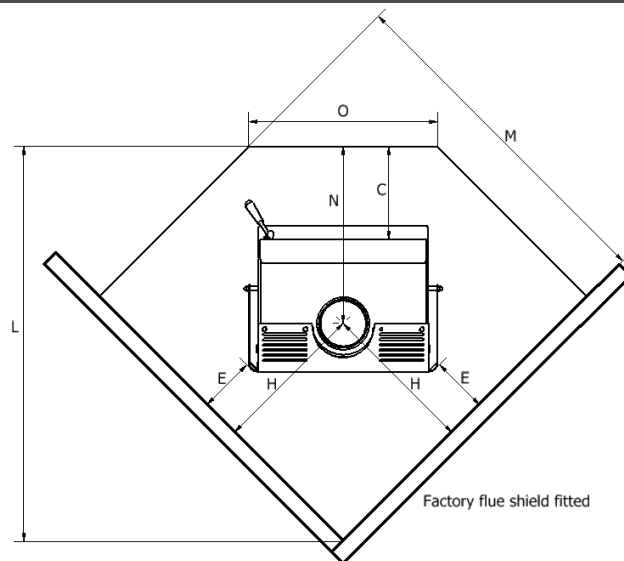
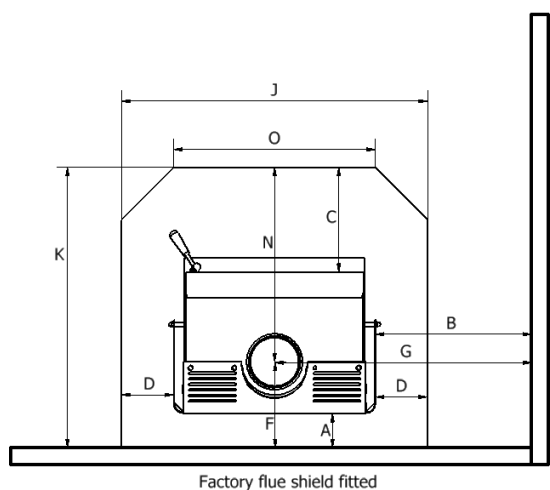
# WOODSMAN

Warming kiwi homes since 1887.

## Testing and Certification

MODEL	AS/NZS 2918:2001	AS/NZ 2918:2001, APP E	AS/NZS 4012:1999	AS/NZS 4013:1999	ECan Cert Number
Brunner/Tasman	Complies	N/A	71%	0.5g/kg	111242
Brunner/Tasman WB	Complies	N/A	65%	0.5g/kg	111243
Aspen	Complies	N/A	71%	0.5g/kg	111306
Aspen WB	Complies	N/A	65%	0.5g/kg	111307
Blaze	Complies	N/A	66%	0.7g/kg	082947
Boston	Complies	N/A	67%	0.8g/kg	073734
Matai DVI-165	Complies	Complies	67%	0.5g/kg	04002/3
Totara	Complies	Complies	67%	0.9g/kg	110220
Matai ECR MkIII	Complies	N/A	71%	0.7g/kg	102148
Matai ECR MkIV	Complies	N/A	75%	0.8g/kg	102149
Matai ECR MkV	Complies	N/A	65%	0.7g/kg	102454
Matai ECR eco	Complies	N/A	69%	0.5g/kg	110263
IMF	Complies	Complies	N/A	3.9g/kg	N/A
Manhattan	Complies	N/A	67%	0.8g/kg	073735
Milford	Complies	N/A	N/A	N/A	N/A
RMF	Complies	N/A	83%	3.9g/kg	N/A
RMF - RV	Complies	Complies	N/A	3.9g/kg	N/A
Strongman	Complies	N/A	N/A	N/A	N/A
Tarras	Complies	N/A	70%	0.88g/kg	094113
Tarras WB	Complies	N/A	65%	0.99g/kg	094114

# Minimum Safe Installation Clearances to COMBUSTIBLE Materials



	BLAZE	ECR MkIII, MkIV, MkV & eco	MANHATTAN & BOSTON	MILFORD	RMF	RMF - RV	STRONGMAN	TARRAS & TARRAS-WB	BRUNNER & TASMAN	ASPEN
<b>A</b>	200	100	150	210	125	N/A	300	160	255	255
<b>B</b>	250	400	300	285	500	500	875*	550	435	435
<b>C</b>	300	300	300	300	300	300	GRAPH 1	GRAPH 1	300	300
<b>D</b>	150	150	150	150	150	150	150	150	118	118
<b>E</b>	100	200	140	100	180	N/A	380	300	190	230
<b>F</b>	371	251	318	381	276	N/A	441	301	404	404
<b>G</b>	560	740	610	628	790	790	1233**	906	743	743
<b>H</b>	421	512	459	446	492	N/A	711	626	481	521
<b>J</b>	920	880	920	986	880	880	1015	1015	850	850
<b>K</b>	1038	807	986	1054	832	N/A	1364	1184	1084	1084
<b>L</b>	1264	1280	1318	1303	1252	N/A	1928	1769	1360	1417
<b>M</b>	1113	1110	1151	1164	1060	N/A	1616	1493	1159	1219
<b>N</b>	669	556	668	673	556	N/A	923	883	680	680
<b>O</b>	620	580	620	686	580	580	715	686	615	615

## Factory Flue Shields

1200mm high flue shields:  
Brunner, Tasman, Aspen, Tarras & Strongman

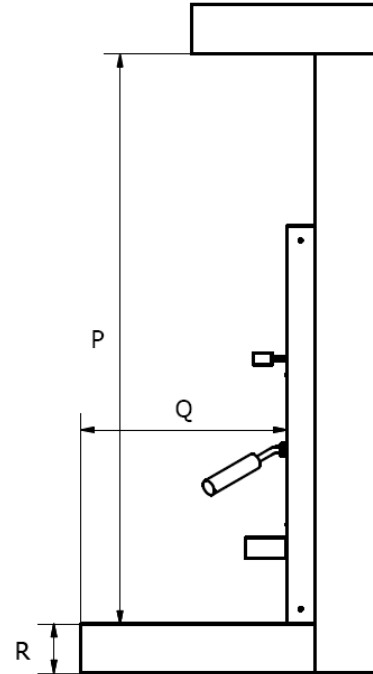
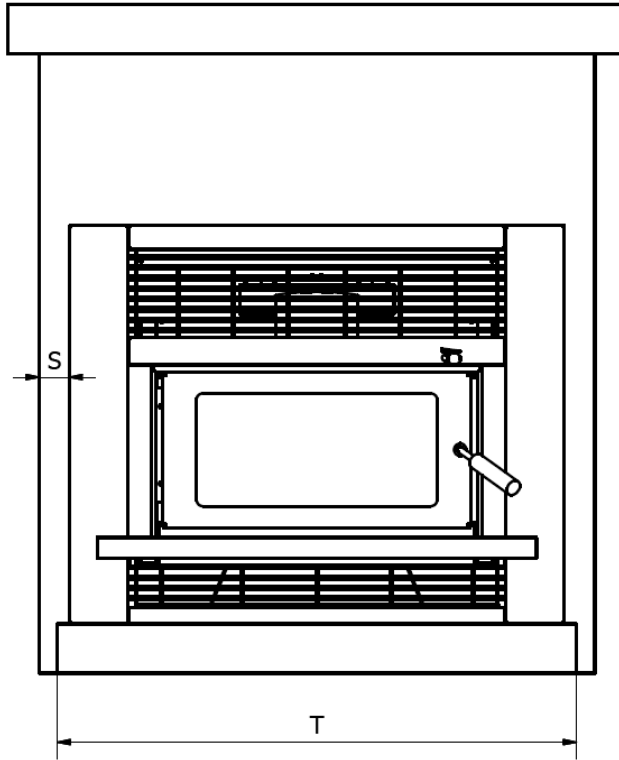
900mm high flue shields:  
Blaze, ECR, Boston, Manhattan, Milford & RMF

All dimensions are given in millimetres .

\*610mm with firebox side panels fitted.

\*\*968mm with firebox side panels fitted.

# Minimum Safe Installation Clearances to COMBUSTIBLE Materials



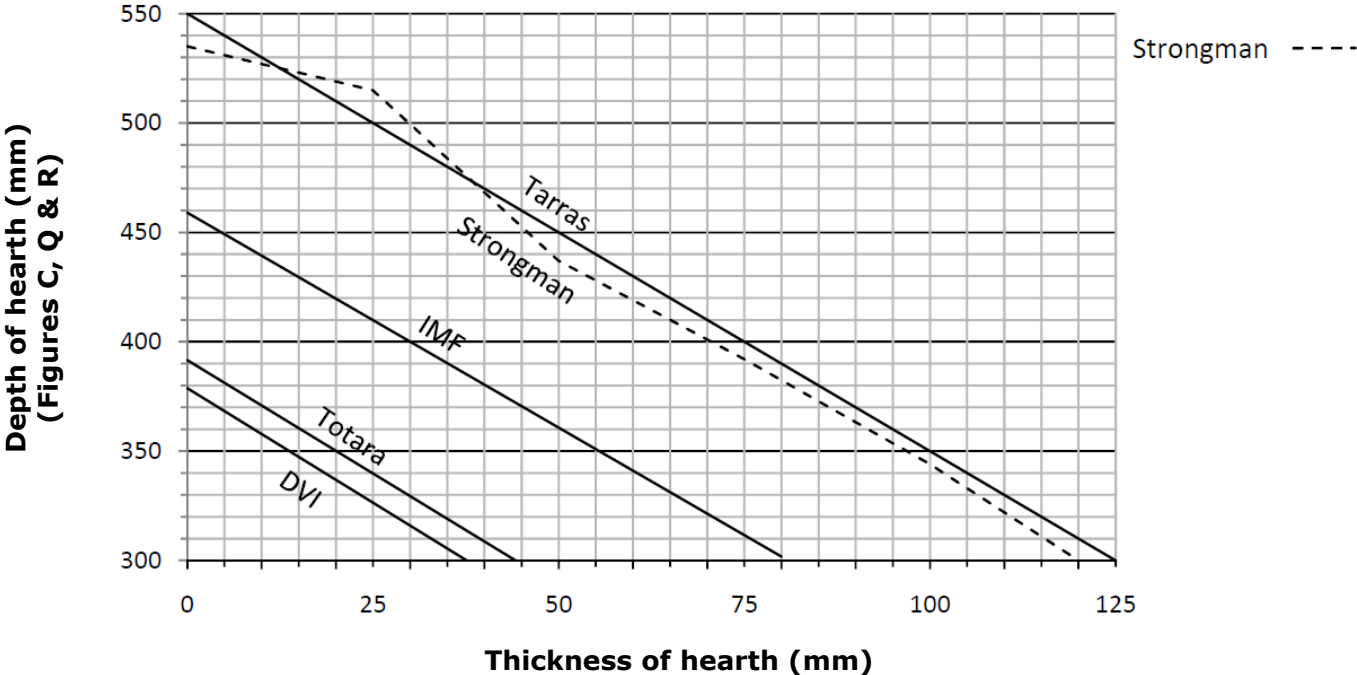
	DVI-165	IMF	RMF-RV	Totara
P	930	980	913	1060*
Q	Graph 1	Graph 1	300	Graph 1
R	Graph 1	Graph 1	12	Graph 1
S	50	50	-	50
T	840	840	880	840

\* Dimension P can be 920mm with a factory supplied heat deflector fitted

# Hearth Graph

Graph 1

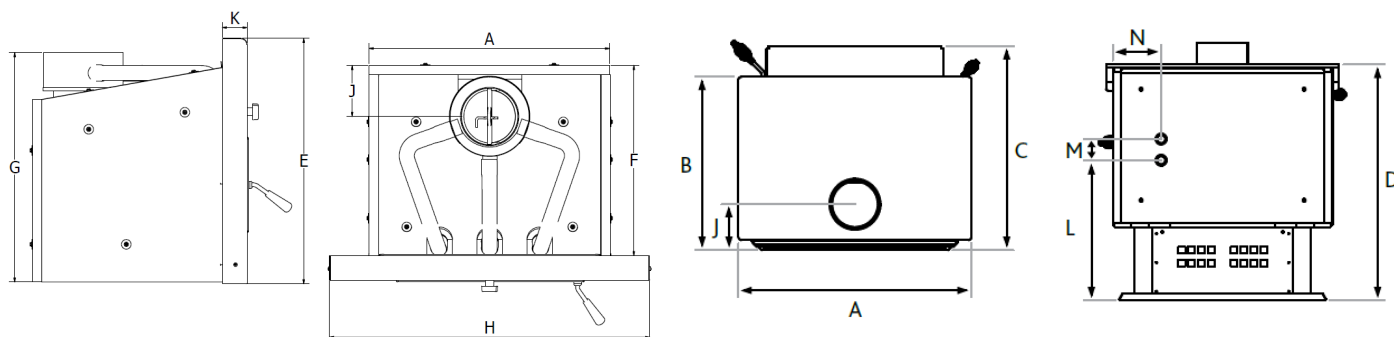
## Hearth Sizes



This graph refers to Page 4 figure C and Page 5 figures Q & R.

The hearth distance out in front of the fire (taken from the door), is dependent on the thickness of the hearth. The thicker the hearth is above the surrounding combustible floor, the less this distance is out in front of the fire.

# Dimensions



	TARRAS	MANHATTAN	BOSTON	BLAZE	TOTARA	ECR MKIII, IV, V & eco	DVI-165 Deluxe	STRONG MAN	RMF	IMF Deluxe	MILFORD	BRUNNER, TASMAN & ASPEN
<b>A</b> Overall Stove Width	715	620	620	620	642	580	640	715	580	590	685	615
<b>B</b> Stove Depth Door to Rear	530	572	572	541		407		550	407		544	554
<b>C</b> Overall Stove Depth Ledge to rear	625	620	620	580		450		590	450		610	633
<b>D</b> Overall Stove Height	722	740	740	740		620		695	620		725	730
<b>E</b> Insert Fascia Height					650		648			740		
<b>F</b> Insert Depth					506		506			480		
<b>G</b> Insert Maximum Height					570		610			590		
<b>H</b> Insert Fascia Width					840		810			850		
<b>J</b> Flue Centre to Back of Unit	141	168	168	171	136	150	136	141	150	115	170	149
<b>K</b> Insert Fascia Depth					62		115			120/ 65		
<b>L</b> Wetback Height	429					283						450
<b>M</b> Wetback Centres	65					130						65
<b>N</b> Wetback Position	150					290						106

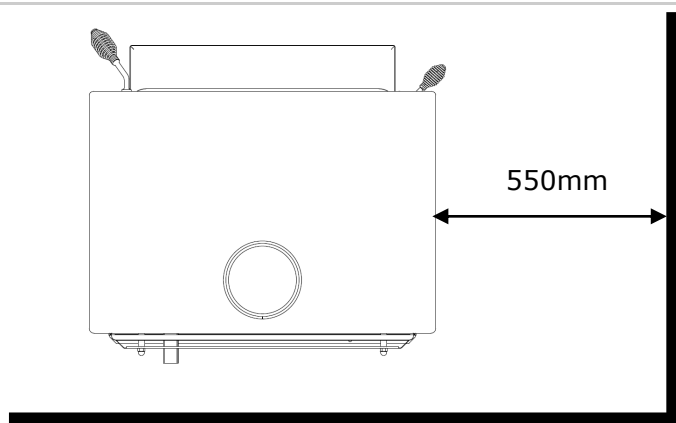
# Reducing Clearances

The clearances that are provided on page 4 are to combustible materials. You can safely reduce those clearances by following the instructions located in AS/NZS 2918:2001

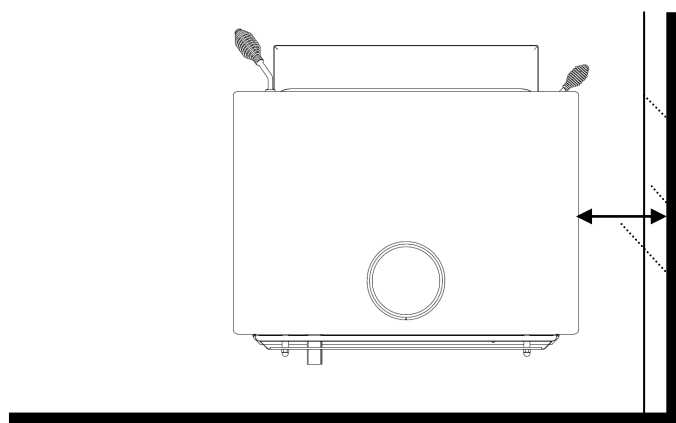
You can reduce the clearances by placing a non-combustible heat shield, with an air gap behind it, between the fire and the combustible wall. Masonry may be used as a heat shield material. The heat shield must extend a minimum of 400mm above the fire.

## Clearance factors for heat shields which are within 45 degrees of the vertical

Heat Shield Construction	Minimum Air Gap Dimension	Clearance Factor
Single layer of continuous material	12mm	0.4
Single layer of continuous material	25mm	0.3
Two spaced layers of continuous material	12mm + 12mm	0.2



Unshielded Dimension for Woodsman Tarras



Heat shield with 25mm air gap with Woodsman Tarras

- Single layer of continuous material
- 25mm Air Gap
- 165mm (combustible to stove)

**550mm x 0.3 = 165mm**

**WARNING** - This is only an example, you must refer to the full AS/NZS 2918:2001 document for more details and consult your local building inspector. Where heat shields are used to reduce appliance dimensions, additional flue shielding may be required.



# Installation Instructions

**This appliance should only be installed by a trained and NZHHA qualified installer.**

**Warning:** the appliance and flue system shall be installed in accordance with AS/NZS 2918 and the appropriate requirements of relevant building code/codes.

**Warning:** appliances installed in accordance with this standard shall comply with the requirements of AS/NZS 4013 where required by the regulatory authority, i.e. the appliance shall be identifiable by a compliance plate with the marking "Tested to AS/NZS 4013".

Any modification of the appliance that has not been approved in writing by the testing authority is considered to be in breach of the approval granted for compliance with AS/NZS 4013.

**Caution:** mixing of appliance or flue system components from different sources or modifying the dimensional specification of components may result in hazardous conditions. Where such action is considered, the manufacturer should be consulted in the first instance.

**Caution:** cracked and broken components e.g. glass panels or ceramic tiles, may render the installation unsafe.

**Warning:** do not connect to an unvented hot water system.

Install in accordance with AS 3500.4.1 or NZS 4603 and the appropriate requirements of the relevant building code/codes.

- Maintain a clearance of at least 1 metre between front of the appliance and building structure or any other substantial immovable object.
- If the appliance is installed on a heat sensitive floor, the floor should be protected with an insulation floor protector, which shall extend entirely beneath the heater. For the correct floor protector extension, refer to dimension C in FIG 1 & 2.
- Your appliance shall be seismically restrained, including the floor protector using the provided holes or brackets. The restraints should be sufficient enough to resist a seismic loading equal to 0.4 times the mass of the appliance. We recommend a minimum of 8mm Dynabolts on concrete floors and 8mm coach screws for wooden floors of appropriate length.

## Minimum Material Specifications For Floor Protectors on a Floor of Combustible Material

MODEL	SPECIFICATION
BRUNNER, TASMAN & ASPEN	9mm Eterpan LD + 8mm ceramic tiles
BLAZE	8mm of ceramic tiles
ECR MkIII, IV, V & eco	8mm of ceramic tiles
MANHATTAN & BOSTON	8mm of ceramic tiles
MILFORD	12mm HardiFlex
RMF	8mm of ceramic tiles
RMF - RV	12mm Hardiflex
STRONGMAN	24mm Eterpan LD
TARRAS & TARRAS-WB	24mm Eterpan LD
DVI-165	8mm of ceramic tiles *
Totara	24mm Eterpan LD + 8mm ceramic tiles *

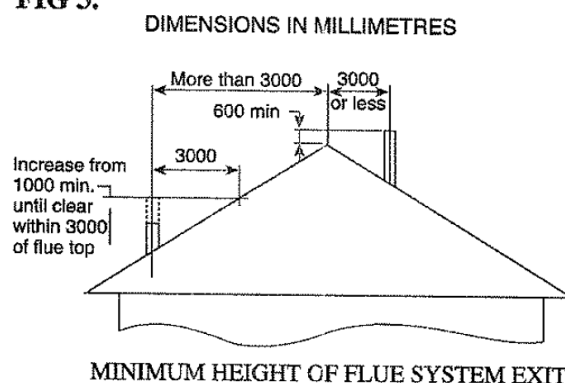
\* The DVI-165 & Totara are also approved with 1mm sheet steel with a 10mm spacing above combustible material. For use when extending hearths.

# Minimum Flue Height

The top of the flue system should be at least 600mm above the highest point of the roof ridgeline, if the point of intersection of the flue system and the roofline is less than 3 metres from the ridgeline horizontally.

If the point of intersection of the flue system and the roofline is greater than 3 metres horizontally, the top of the flue system shall be at least 1 metre above the point of intersection with the roofline. (refer FIG 3)

FIG 3.



These are considered to be **minimum dimensions**, and depending on local conditions, **taller flue system heights may be required for satisfactory performance.**

# Flue Installation Detail

Your Woodsman appliance should be installed with a HeatSaver Flue System.

A HeatSaver Flue System is available from all authorised Woodsman dealers throughout New Zealand.

The HeatSaver Flue System contains a complete installation drawing and correct clearances from the ceiling level up. Minimum clearances from the appliance to nearby combustible surfaces are given in FIGS 1 & 2.

Use of a flue system other than a genuine HeatSaver Flue System may affect the safety of the installation, and may affect your Woodsman warranty.

**Insist on a genuine HeatSaver Flue System.**

**Installation requirements for Woodsman fireplace inserts and flue system where timber framing is less than 50mm from the chimney structure.**

Installation should be carried out by a qualified installer who will ensure:

- That the minimum clearances determined by tests in accordance with AS/NZS 2918:2001 are complied with to prevent overheating of nearby combustibles.
- That the minimum opening size of **600mm wide x 600mm high x 500mm deep** is available when firebricks are removed, and that extra provision also be made for plumbing where a hot water booster is fitted (where permitted).
- That any flue requirements specific to the model being installed are met in full - refer HeatSaver Flue System Instructions.
- Where the fireplace opening is in a heat sensitive wall, a non-metallic heat resistant material shall extend not less than 50mm beyond each side of the appliance and 150mm beyond the top of the appliance.
- Clearance of at least 1 metre between the front of the appliance and building structure, or any other substantial material object.
- That the insulating floor protector of non-combustible material is provided, extending not less than the dimensions shown in the chart. (Refer Table 2)
- A fireplace appliance shall not be connected to a flue common with an open fireplace.

# HeatSaver Flue Kit Installation

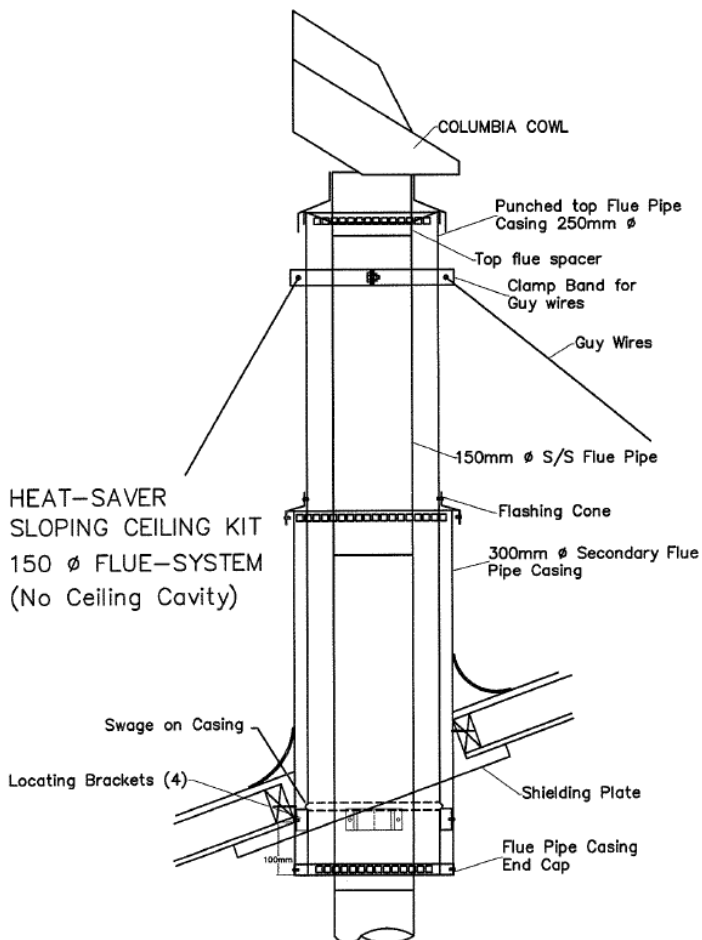
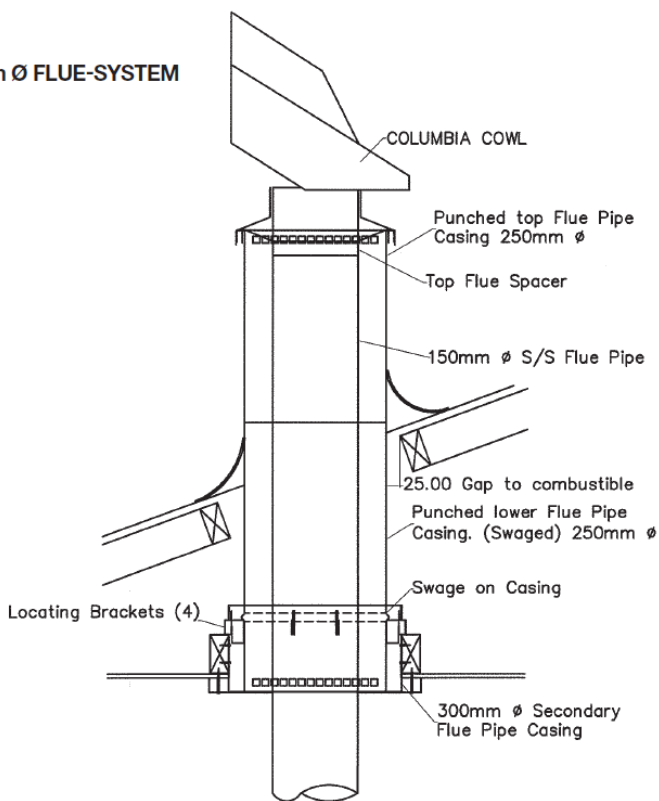


## INSTALLATION INSTRUCTIONS

- This HeatSaver flue system is tested and certified to AS/NZS 2918:2001 Appendix F, which means it is approved for use on all solid fuel appliances with a flue diameter of 150mm.
- A copy of the Laboratory Test Certificate for this HeatSaver Flue System is included as part of these Installation Instructions, (refer to paperwork with flue kit).
- Installation of any solid fuel appliance should only be carried out by suitably trained and qualified personnel.
- Position the stove to the desired position, always ensuring that the manufacturer's minimum clearances to combustibles are complied with.
- Check that there are no roofline ridges or valleys in the way, or if they cannot be avoided, that the installer knows how to weatherproof the penetration and reinstate the full strength of the structure.
- At the ceiling level, construct a square frame of 300mm x 300mm internal dimensions and cut away the ceiling materials from the inside of this frame.
- Lower the 300mm flue pipe casing into this frame and nail in place when the bottom edge is 25mm below the ceiling level and the 8 nail holes provided are touching the timber frame. Ensure that the spacer brackets are at the top of the casing as shown in the diagram.
- Check all 4 locating brackets are securely in place and drop 250mm diameter lower casing in place. This will naturally settle so it protrudes 25mm below the ceiling.
- Make roof penetration, assemble and fit required flue length and install with upper casing. Secure all joints with at least 3 stainless steel rivets or self tapping screws.
- Frame and brace upper installation as required and flash the roof to shield penetration.
- Fit ceiling plate to ceiling.
- When trimming the stainless steel flue length, remember to allow for expansion when flue is hot.
- Fix HeatSaver Columbian Cowl in place. Fixings are not required as the cowl clips into place.
- Secure the flue to the fire—drill through flue neck on fire and secure with 2 to 3 s/s screws or rivets.
- All flue joints should be sealed using a flue cement.

# HeatSaver Flue Kit Installation

150mm Ø FLUE-SYSTEM



# Operating Instructions (Burning Wood)

## Keep these instructions for future reference

**Important:** ensure installation instructions have been adhered to before lighting the appliance.

**Important:** firewood should be loaded in a front to back direction when operating this appliance, except Matai ECR MkIII, MkIV which should be loaded left to right.

**Warning:** any modification of the appliance that has not been approved in writing by the testing authority is considered as breaching AS/NZS 4013.

**Warning:** do not use flammable liquids or aerosols to start or rekindle the fire.

**Warning:** do not use flammable liquids or aerosols in the vicinity of this appliance when it is operating.

**Warning:** do not store fuel within heater installation clearances.

For your comfort, it is advised that you light your first fire with the windows open to allow the escape of paint fumes. This will normally happen for the first 30 minutes of the first burn.

Fully open the heat control. Place wood kindling and paper or firelighter in the firebox. Ignite and leave the door partially open by resting on the catch until the fire is blazing (4-5 minutes), and burns well with the door closed. Do this only from a cold start. Once the fire is underway, adjust the heat control to suit. If the firebox or the flue becomes visible red-hot, adjust the heat control to a lower heat position to avoid being unnecessarily harsh on the unit as well as wasting excessive heat up the flue.

**Warning:** always open the heat control before opening the fire door.

For long holding operation in a Clean Air Zone, level the ashes and load with the firewood lying front to back, or left to right in a Matai ECR MkIII, MkIV. After loading new wood, operate the fire with the heat control fully open for 20 minutes before closing the heat control to the lower burning position. By following this simple method of low burn firing, you will achieve very low emission rates and obtain the high efficiency burn that is associated with the Woodsman product.

The fuel approved for use in Clean Air Zones in this appliance is wood with a moisture content of less than 25% of dry weight. This usually means green timber left for at least three months to air dry.

**Caution:** the use of some types of preservative-treated wood as a fuel can be hazardous.

**Caution:** this appliance should not be operated with cracked glass.

**Caution:** this appliance should be maintained and operated at all times in accordance with these instructions.

**The door must be closed at all times during the operation, except during refuelling and occasional poking of the fire when necessary. Ensure door seals are maintained in good condition.**

**Your appliance and flue system should not be modified in any way without the approval of the manufacturer.**

## Operating Instructions (Multi-fuels)

Your Woodsman Multi-fuel will operate perfectly well burning coal, wood, briquettes or a mixture of any of these. Often the hottest temperatures are achieved by burning a mixture of wood with coal laid over the top.

The appliance has two heat controls. The High - Low control to the left of the ash pan door is for use when burning coal, briquettes, or a mixture of wood and coal. The High - Low control above the fire door is for use when burning wood only.

Set the fire using kindling wood and paper (or a solid fuel lighter), light and close the door; set the lower High - Low control on High and the upper High - Low control on Low. Once the fire is burning brightly, decide if wood or coal is to be used. If coal is to be burned, lay the coal over the burning fire and adjust to suit. If wood is to be burned, place dry logs on the fire and set the lower control to Low and the upper control to suit the required burning rate.

**Important:** Ensure the ash pan door is closed firmly before lighting, and remains so during use. **Do not** have both controls fully open at the same time. If burning wood, the lower control should be fully closed; if burning coal, the upper control should be set to Low.

If the ash pan door knob is removable, it should be removed while the stove is in use. This is a safety feature designed to avoid the ash pan door being opened by children in particular, and risking any overheating of nearby combustibles by the increased combustion rate.

## Creosote Formation

A small intense fire is preferable to a large smouldering one, to reduce the amount of creosote. When wood is burned slowly it produces tar and other organic vapours, which combine with expelled vapour to form creosote. These creosote vapours condense in the relatively cool flue of a slow burning fire. As a result, creosote residue accumulates on the flue. When ignited, this creosote makes an extremely hot fire.

The flue should be checked at least every 2 months, during the burning season, to determine if a creosote build up has occurred. If this is the case, it should be removed by a chimney sweep to reduce the risk of an unexpected flue fire.

Your appliance has been designed to produce low levels of creosote at high and low settings.

**In the event of a chimney fire, close the firebox door, fully close the heat control, vacate the premises and call the fire service.**

## Storage of Fuel

Do not store fuel within installation clearances or within the space required for refuelling or ash removal.

Wood should always be stored in a dry place out of the rain. We recommend your wood be seasoned for at least 3 months before use. Dry wood also burns hotter and more efficient than wet wood.

# Caring for your Fire

## **Cleaning your Glass**

Wiping your glass regularly with a damp cloth when cold will keep the glass clean. If a thick build up of creosote builds up, oven cleaner works well to remove it.

## **Cleaning the Outside of the Fire**

Woodsman fires are finished in a high temperature paint. Only use a damp cloth (no chemicals) when cleaning the outside of the fire. If any scratches occur, you can easily touch up the fire with an aerosol can of matching paint. This is available from your retailer or Harris Home Fires.

## **Cleaning the Flue**

Keeping your flue clean is important. We recommend that you have your chimney swept at least once a year. A blocked flue not only effects the performance of the fire, but can also be a hazard as you are susceptible to chimney fires.

## **Ash Level**

It is important to maintain a 2 - 3cm level of ash in the bottom of the fire for insulation purposes. But do not let the level get too high as you run the risk of logs and coals falling out of the fire. You also get less wood in the firebox.

## **Disposal of Ashes**

Ashes should be placed in a metal container with a tight-fitting lid. The closed container of ashes should be placed on a non-combustible floor or on the ground well away from all combustible materials, pending final disposal once cooled.

# Consumables

Some parts of your Woodsman fire are considered consumable. They are designed to be replaced as they will degrade over time. The life of the consumables will vary depending on;

- Frequency of use. How often the fire is used
- Rate of burn. Is the fire burning on low or high the majority of time
- Type of fuel. Some woods and coals are much harsher than others.
- Level of ash. High levels of ash can push embers up and over rear air tubes

General items that are considered consumables:

- Baffles
- Fire bricks
- Air tubes
- Glass and door ropes

It is very important that you replace these parts when they show sign of wear. They effect how the fire runs and you may increase your fuel consumption or lower your efficiency if not replaced, and can in some cases, damage the firebox. It is generally obvious once a part is in need of replacement. Steel components may split or large holes may appear, fire bricks may crack and disintegrate. We recommend you check your fire visually several times a year for damaged components.

# Useful Tips

## Get the most out of your Woodsman

### **Tips for lighting the fire**

- Use finely cut, dry kindling wood.
- Firelighter cubes or gel work best when ensuring ignition of the kindling.
- Cross stack kindling over and around fire lighter like a small tower.
- Use ample kindling wood to ensure a good fire, you want to get the fire hot as fast as you can.

### **Tips to help get the highest heat output:**

- Open the air slide to increase the amount of combustion air to the combustion zone.
- Use smaller pieces of wood and lots of it. Small pieces of wood have a larger surface area compared the same volume of wood but in larger pieces.
- Feed the fire regularly. Keep the fire topped up with fresh wood to keep the temperature up in the combustion zone.
- Use dry wood. Wood with a moisture content of less than 16% will burn much hotter than damp wood. Use a moisture meter to determine the moisture content of the wood.
- Use a soft wood. Soft woods like Radiata Pine burn fast and hot.

### **Tips for increasing the burn time:**

- Shut down the air slide to decrease the amount of combustion air to the combustion zone.
- Use large pieces of wood. Large pieces have a smaller surface area compared to small pieces of the same volume and will burn slower.
- Use a hard wood like Blue Gum (where permitted). Hard woods are denser and take longer to burn.
- Completely fill the fire box with large pieces of wood. The more wood in the fire, the longer it takes to burn.
- Load the wood at the right time. If you load the fire when there is a large amount of red embers, the wood will all combust at the same time. A good idea is to let the fire burn down quite considerably and push the embers off to one side. Stack the wood in the firebox and the wood will ignite on one side only and slowly burn from one side to the other.

### **Tips for using the wet-back:**

- The hotter the fire burns, the more hot water the wetback will produce.
- If you require some hot water but not too much heat into the room, try burning a small fire at the back of the firebox below the wetback.

### **Tips for using the cook top:**

- The cook top is hotter in the middle than at the sides and hotter at the front than at the back.
- Like the wetback, the cook top's temperature is linked to the output of the fire.
- Any stains from pots or mugs can easily be touched up with matching high temperature paint.



Attach  
Receipt  
Here



# WOODSMAN

Warming kiwi homes since 1887.

## **15 Year Firebox Warranty - Wood fires** **10 Year Firebox Warranty - Multi-Fuels** **1 Year Parts Warranty - All Fires**

---

Your WOODSMAN fire is warranted for a period of 1 year to the original purchaser, from the date of purchase, against defects of manufacture which includes the firebox and parts (fire bricks, baffles, air tubes, door glass and door seals).

If a part defect occurs, return the part to the retailer or directly to Harris Home Fires along with a copy of the retailers receipt and the part will be replaced at no cost.

If a firebox defect occurs, either contact the retailer or Harris Home Fires and it will be repaired or replaced at our discretion.

This warranty does not cover damage caused by mishandling, misuse, failure to follow the manufacturer's installation and operating instructions, or work done by others, such as installers, or plumbers etc. The manufacturer shall not be responsible for site conditions such as insufficient draught, downdraughts, or routine servicing and adjustments. Damage caused by the failure to replace consumables like air tubes, baffles and fire bricks may void the warranty.

Your WOODSMAN firebox is then covered by a further 9 year warranty against defect during normal domestic use.

In the case of a claim after the first year, it shall be the owner's responsibility and expense to deliver the WOODSMAN fire to the dealer from whom it was purchased or Harris Home Fires, and the reinstallation after any repair has been made. Harris Home Fires will arrange pick-up, repair and refurbish the fire, including painting as necessary and deliver the fire back to the retailer or customer.

Your WOODSMAN **WOODFIRE ONLY** is then covered by a further 5 year warranty on the fire box against defect during normal domestic use.

In the case of a claim after the first 10 years, it shall be the owner's responsibility and expense to deliver the WOODSMAN fire directly to Harris Home Fires, and the reinstallation after any repair has been made. Harris Home Fires will repair and refurbish the fire, including painting as necessary and deliver the back to the customer.

---