

Enviro Evolution EF5 Freestanding Wood Pellet Burning Heater



Enviro Evolution EF5 Freestanding Wood Pellet Burning Heater Installation Specifications

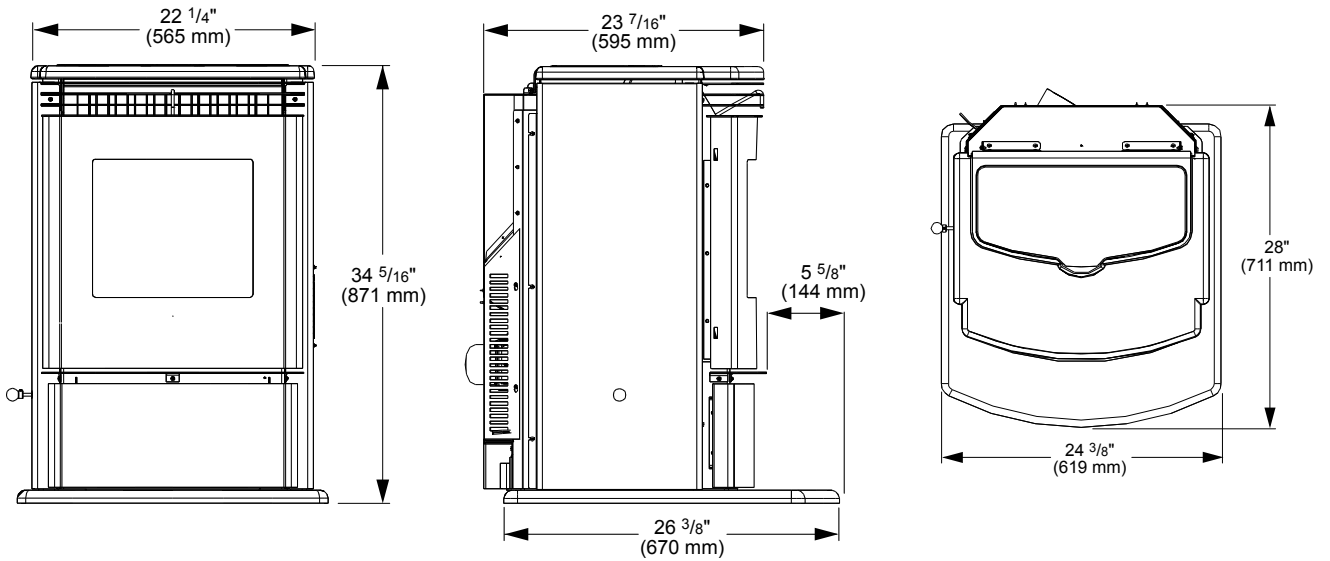
Safety testing of EF5 Evolution FS CB Pellet Burning Heater to
AS/NZS 2918. ARS 09/1981 & 08/1902

Emissions: 07/1664

Flue Kit Testing to AS/NZS 2918 AppF:05/1185

Installation

Dimensions – Evolution EF5 Freestanding



Installation Clearances & Specifications

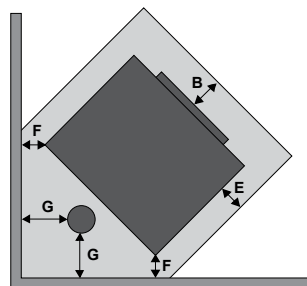
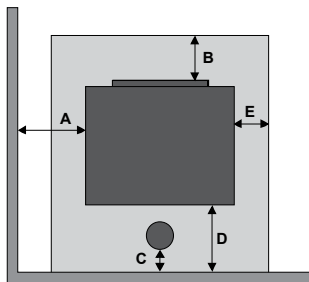
Minimum clearances shown are in millimetres. All Enviro fires are tested to AS/NZS2918:2001. Specifications were correct at time of printing but may alter and those detailed below should be used as a guide only. Refer to the Installation and Operation Manual supplied with every Enviro Pellet Fire or if in doubt, consult your Switch Retailer. Refer to Safety Test 09/1981 for all clearances to combustibles.

Clearances to Combustibles

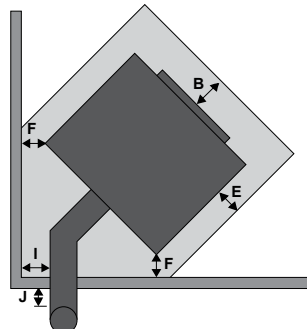
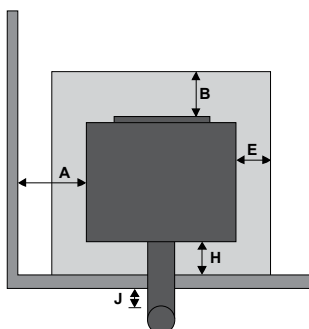
Enviro Evolution EF5 Pellet Fire Clearance to Combustibles



Internal Flue



External Flue



Freestanding
Clearances

Location	Dimension (mm)
A	100
B	150
C*	50
D	~210
E	N/A
F	75
G*	50
H	100
I*	50
J*	25

* from shielded flue

Note: AS/NZS 2918 requires a minimum of 100mm clearance for any side requiring access.

Note: These are minimum clearances to combustibles. Actual installation distances may be greater.

Note: The above clearance to combustibles on the flue are only applicable within the fire envelope. Clearance outside this e.g. at a ceiling / wall thimble reverts to 25mm as per ARS flue test 05/1185.

November 2011

Location of the Pellet Fire

Installation of the Enviro Evolution Wood Pellet Burning Heater should be undertaken by an experienced installer. Please read the Evolution Owners/Technical Manual thoroughly before commencing installation as failure to follow the instruction could cause damage to the pellet fire or property.

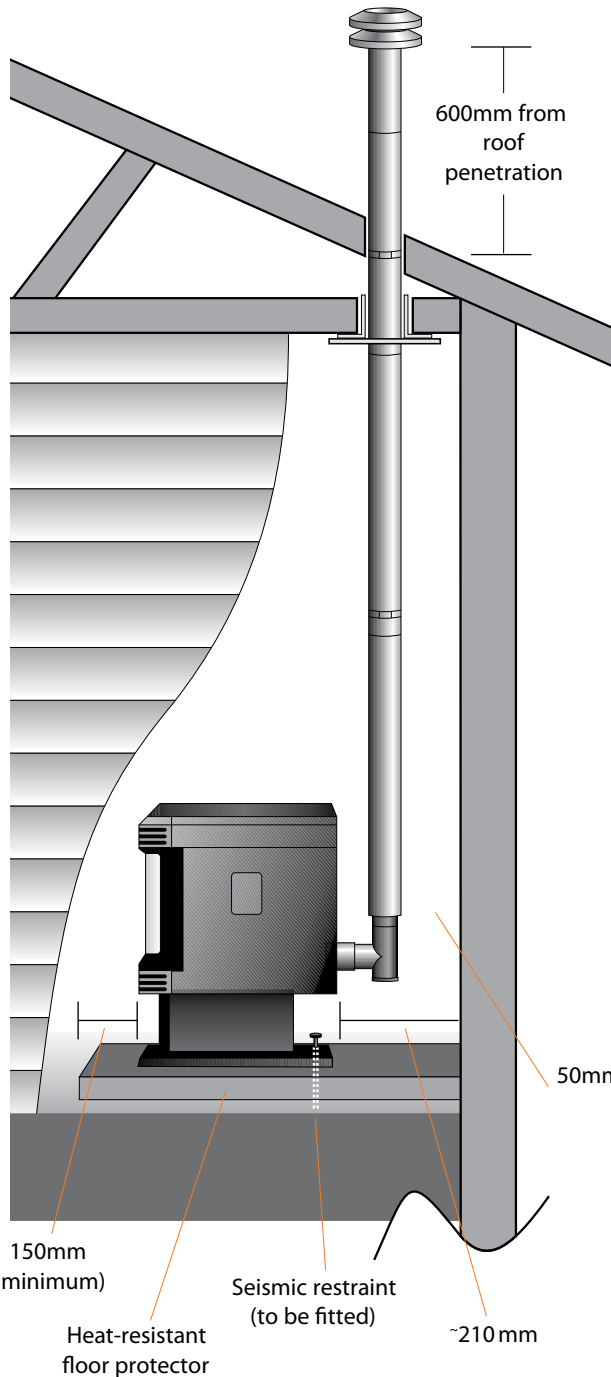
Positioning the fire:

Generally the Evolution should be installed in a centrally located position within the home. When deciding where to position the appliance in your room you need to consider the following:

- Location of a power source
- The Evolution has a convection fan which blows air through tubes in the direction that the fire faces, for optimum performance this location should be in a large room centrally located.
- The Evolution comes with its own hearth pad. This complies with the hearth requirements and the fire can be installed on a combustible surface.
- The Evolution has been Safety Tested to AS/NZS 2918 using the Davins manufactured flue. Test Report ARS 05/1185. Installation is not exclusive to these nominated kits, though alternative flue should only be considered following consultation with your local council.
- Please consult page 2 for the required clearances to combustible material also ensure the position of structural elements near the proposed flue.
- Because of the positive pressure in the flue, sealing of all 75mm stainless joints is mandatory – use high temperature sealant. Both inner and outer flue joints must be riveted.
- Seismic Restraint: Please see page 6 for requirements.
- Warranty: To validate warranty following installation a copy of the completed Warranty/Producers Statement must be forwarded to: Switch- Fax (03) 341 8057.

Internal Standard Flue Kit (50)

This flue kit may be used in new and replacement applications in rooms with stud height of 2.4m. The overall height of the flue is 3.6m. The visible flue is finished in black and the ceiling plate is white. The support angles for securing the liner to the ceiling are not shown. Kit is supplied in carton.



Each 50 Internal Standard Flue Kit contains:-

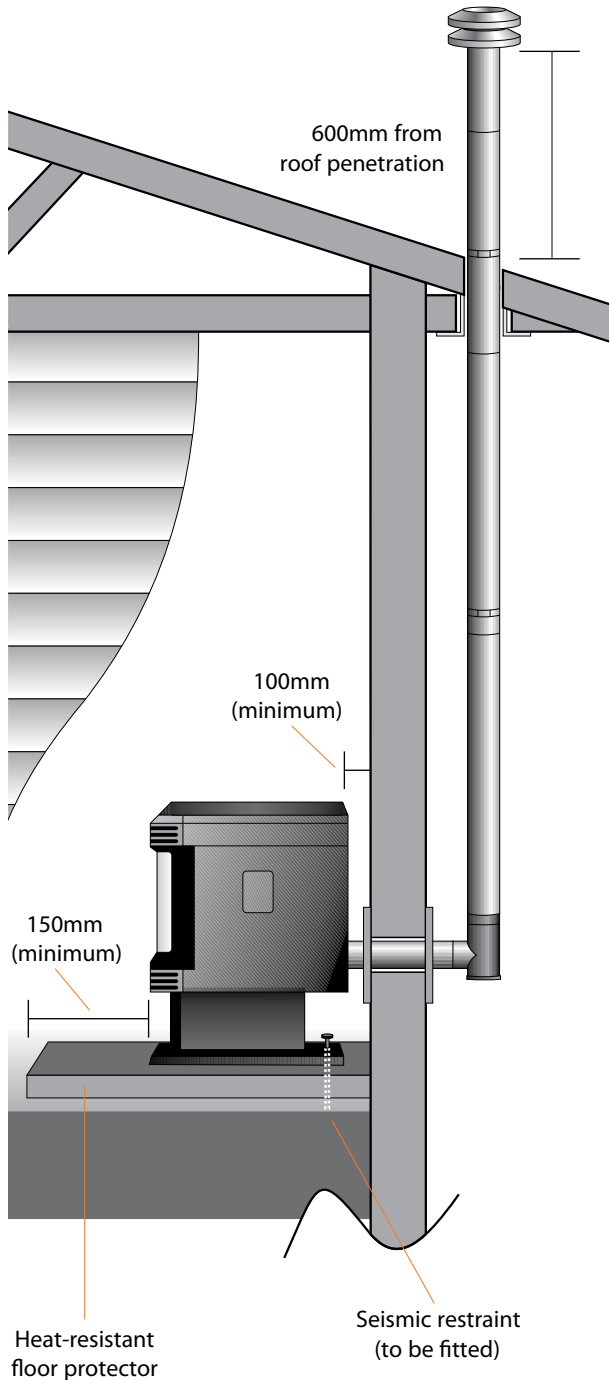
Part No	Description	Quantity
1	Galvanised outer liner ø100mm x 900mm long	1
2	Stainless steel inner liner ø75mm x 900mm long	4
4a	Black p/coat outer liner ø100mm x 900mm long	3
5	Inner/outer flue liner spacer	2
6c	Ceiling thimble ø107mm hole	1
7c	Ceiling decor plate ø107mm hole – white	1
8	Rain cap 75mm	1
9	Rain Cap 100mm	1
10b	Elbow 45° – ø75mm stainless – black (painted)	1
12H	T-adaptor/cleanout – ø75mm – black (painted)	1
23	Support angle 950mm long – 50mm x 50mm sides	2

Note: The Davin 50 Internal Standard Flue Kit complies with AS/NZS 2918:2001 as per Applied Research Test Report 05/1185, dated 15 September 2005.

All fires must be installed by a qualified installer as per the manufacturer's instructions and AS/NZS2918:2001.



External Standard Flue Kit (51)



This flue kit may be used in new and replacement applications with the flue penetrating the wall behind the fire, running vertically up an outside wall and penetrating the soffit. The overall height of the flue is 3.6m. All visible flue has a galvanised finish, and can be powdercoated on request. Kit is supplied in a carton.

Each 51 External Standard Flue Kit contains:-

Part No	Description	Quantity
1	Galvanised outer liner ø100mm x 900mm long	4
2	Stainless steel inner liner ø75mm x 900mm long	4
5	Inner/outer flue liner spacer	2
6w	Wall thimble – 2 pieces ø102mm holes	1
6s	Soffit thimble ø107mm hole	1
7w	Wall decor plate ø102mm hole – white	1
8	Rain cap 75mm	1
9	Rain Cap 100mm	1
26	Lined T-adaptor	1

Note: The Davin 51 External Standard Flue Kit complies with AS/NZS 2918:2001 as per Applied Research Test Report 05/1185, dated 15 September 2005.

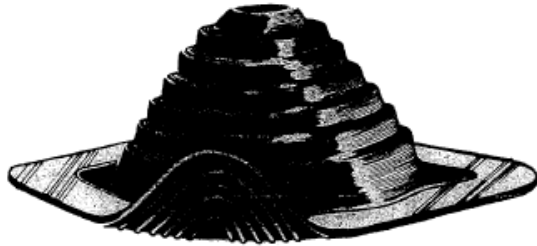
All fires must be installed by a qualified installer as per the manufacturer's instructions and AS/NZS2918:2001.



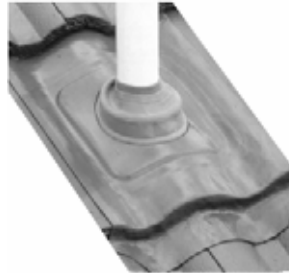
nature's flame

Flashing Options:

Decktite - For all Steel Roof Profiles



TILEFLASH for Concrete, Clay Tile and Slate Roofs



Please circle the flashing option to be used. When considering an alternative method please consult your local council.

SEISMIC RESTRAINT:

All installation scenarios for the Enviro Evolution EF5 require the use of hold-down anchors (one on each side)

Fixing to Concrete Floor:

Minimum M8 expansion anchors (M10 recommended) or min M8 epoxy- set anchors.

Approved Anchors: Expansion Anchors-Ramset Dynabolt and Trubolt, Hilti HAS.

Epoxy-set Anchors – Ramset Epcon, Ramset Chemset and Hilti HVU.

Fixing to Timber Floor Framing:

Minimum 14g x 60 screws (6.3mm diameter) or M10 X 90 coach-screws. These shall be fixed a minimum of 40mm into the centre-line of the existing floor joists. If screws cannot be installed directly into an existing floor joist, solid blocking between joists (min size 90x45) shall be provided.