

**Enviro Olympian
Wood Pellet Fire FPI CB and FS CB**



**Olympian Wood Pellet Burning Heater
Insert and Free Standing Models
Installation Specifications**

Safety testing of the Olympian FS CB Pellet Burning Heater to AS/NZS 2918:2001, ARS 09/1981 & 08/1902 & 09/1955. Emissions ARS 07/1965

Safety testing of the Olympian FPI CB Pellet Burning Heater to AS/NZS 2918:2001, ARS 09/1981 & 09/1952 & 09/1953. Emissions ARS 07/1715

Flue kit testing to AS/NZS 2918:2001 AppF: ARS 05/1185

SPECIFICATIONS

DIMENSIONS - FREESTANDING:

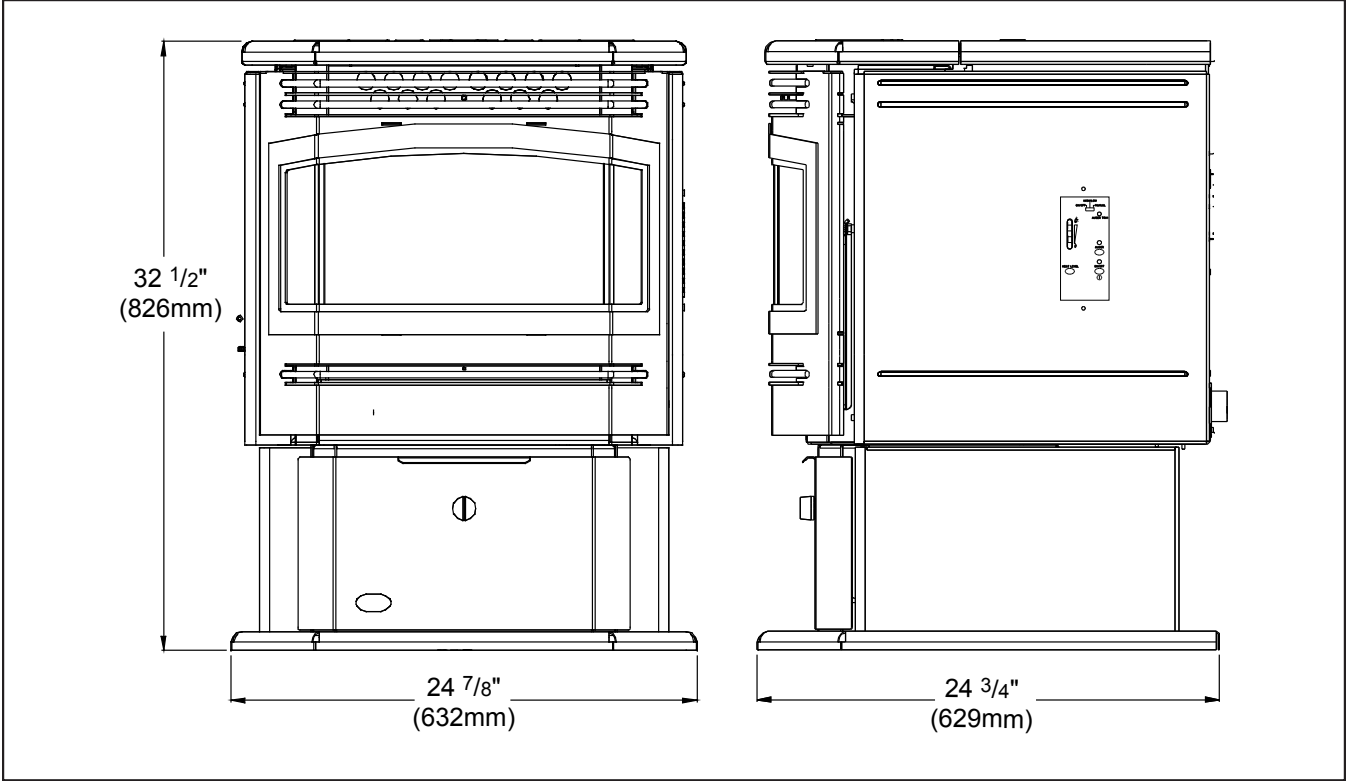


Figure 1: Olympian Freestanding Dimensions.

DIMENSIONS - FIREPLACE INSERT:

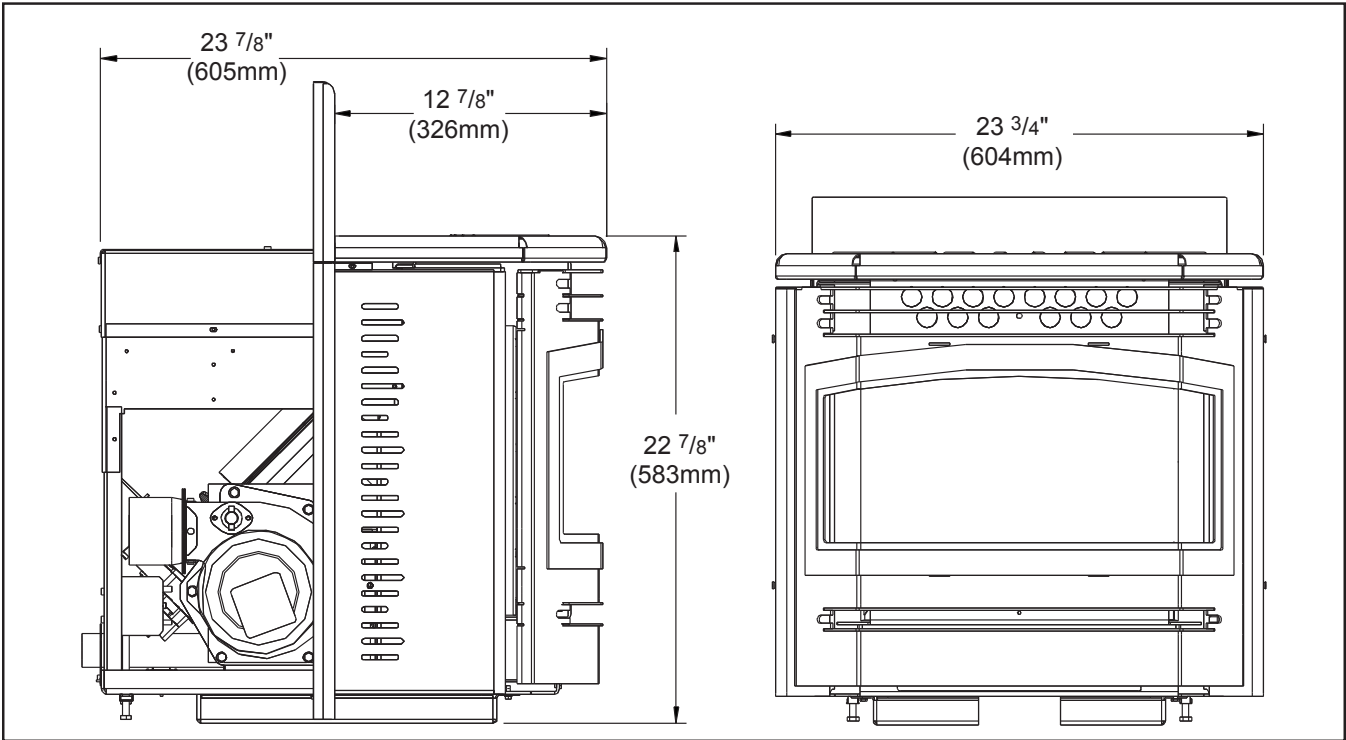
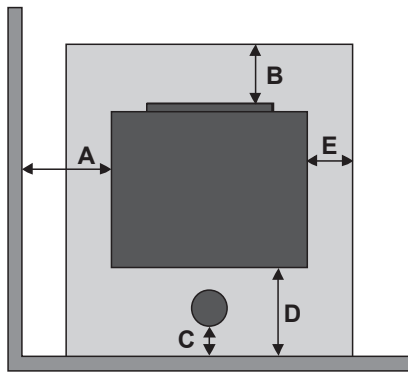


Figure 2: Olympian Fireplace Insert Dimensions.

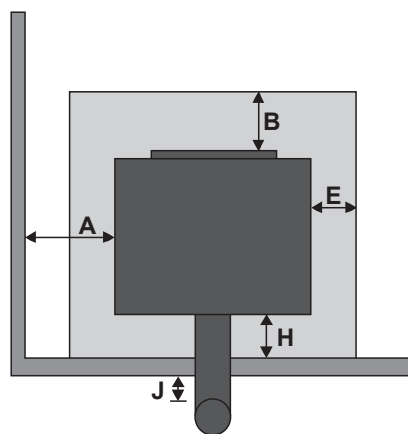
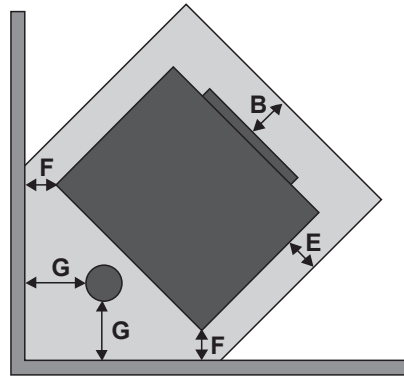
Installation Clearances & Specifications

Minimum clearances shown are in millimetres. All Enviro fires are tested to AS/NZS 2918:2001. Specifications were correct at time of printing but may alter and those detailed below should be used as a guide only. Refer to the Installation and Operation Manual supplied with every Enviro Pellet Fire or if in doubt, consult your Retailer.
Refer to Safety Test ARS 09/1981 for all clearances to combustibles.

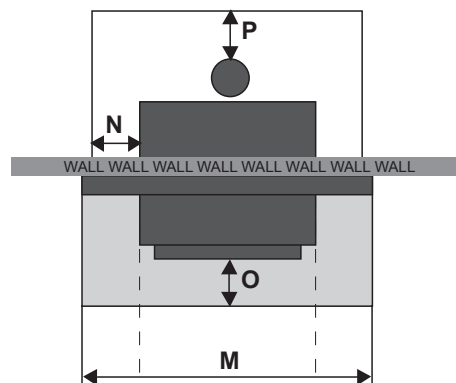
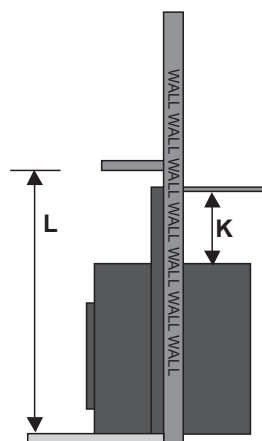
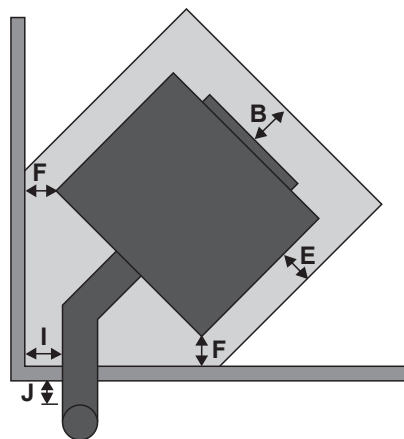
Clearances to Combustibles



External Flue (Freestanding)



Built-In Fire and Flue



Freestanding Clearances

Location	Dimension (mm)
A	152
B	150
C*	50
D	N/A
E	N/A
F	76
G*	50
H	76
I	50
J*	25

* from shielded flue
* 75mm to unlined flue

Note: AS/NZS 2918:2001 requires a minimum of 100mm clearance for any side requiring access.

Note: These are minimum clearances to combustibles. Actual installation distances may be greater.

Built-In Heater Clearances

Location	Dimension (mm)
K	100
L	920
M	1020
N	150
O	150
P*	50

NOTE: Built-In fire clearances don't apply in a non-combustible cavity. However, remember you will need access for servicing. Correct as at August 2015.

Location of the Pellet Fire

Installation of the Enviro Olympian Wood Pellet Burning Heater should be undertaken by an experienced installer. Please read the Olympian Owners/Technical Manual thoroughly before commencing installation as failure to follow the instruction could cause damage to the pellet fire or property.

Positioning the fire:

Generally the Olympian should be installed in a centrally located position within the home. When deciding where to position the appliance in your room you need to consider the following:

- Location of a power source
- The Olympian has a convection fan which blows air through tubes in the direction that the fire faces, for optimum performance this location should be in a large room centrally located.
- The Olympian must be installed on a non-combustible surface. This surface must protrude 150mm from the front of the closed pellet fire door.
- The Olympian has been Safety Tested to AS/NZS 2918:2001 using the Davins manufactured flue. Test Report ARS 05/1185. Installation is not exclusive to these nominated kits, though alternative flue should only be considered following consultation with your local council.
- Please consult pages above for the required clearances to combustible material, also ensure the position of structural elements near the proposed flue.
- Because of the positive pressure in the flue, sealing of all 75mm stainless joints is mandatory – use high temperature sealant. Both inner and outer flue joints must be riveted.
- Warranty: To validate warranty following installation, a copy of the completed Warranty Registration Form/Producer's Statement must be forwarded to:
Pellet Fire Solutions at info@pelletfiresolutions.co.nz.

Seismic Restraint

Concrete Floor

Installation scenarios for the Olympian FS and Built In Models require the use of hold-down anchors (one on each side)

Fixing to Concrete Floor:

Minimum M8 expansion anchors (M10 recommended) or min M8 epoxy- set anchors.

Approved Anchors: Expansion Anchors-Ramset Dynabolt and Trubolt, Hilti HAS.

Epoxy-set Anchors – Ramset Epcon, Ramset Chemset and Hilti HVU.

Installation of the Insert Model (non-combusitble cavity) requires the use of a seismic restraint chains to be fitted one on each of the fire at the mid-point. The chain should have a breaking strength of at least 350kg or minimum 3.5mm nominal diameter. Chains should be anchored to the floor (not framing or masonry), and should be as short as possible, only allowing access to unbolt the chains from the fire to allow the fire to be pulled forward for servicing.

Timber Floor

Minimum 14g x 60mm screws (6.3mm diameter) or M10 X 90mm coach-screws. These shall be fixed a minimum of 40mm into the centre-line of the existing floor joists. If screws cannot be installed directly into an existing floor joist, solid blocking between joists (min size 90x45) shall be provided.